

## TDN WDR IR Bullet Camera

HBW2PR1/HBW4PR1

Honeywell's new Performance Series IP bullet cameras are taking quality and reliability to the next level, offering outstanding picture clarity and hassle-free flexible system integration.

### Superior Image Quality

- Full HD 1080p 25/30 fps image with a 1/2.7" 2 megapixel sensor or full HD 4 MP 20 fps image with a 1/3" 4 megapixel sensor
- Wide Dynamic Range, up to 120 dB, ensures glare-free images
- True Day/Night provides vivid color images by day and clear black-and-white images at night with ICR
- Excellent low-light performance with 3D noise reduction, saving storage and bandwidth

### Flexible Surveillance Solution

- 3.6 mm fixed lens at F2.1 or F2.2
- H.264 and MJPEG codec, triple stream support
- IR LEDs provide up to 130 ft (40 m) of illumination in dimly lit or nighttime scenes (depending on scene reflectance)
- Smart IR technology provides even distribution of IR
- Weatherproof (IP66) camera housing
- -22°F to 140°F (-30°C to 60°C) working temperature
- Plug-and-play compatible with Honeywell 4/8/16-channel Performance Series Embedded NVRs

### Easy to Install and Use

- Built-in PoE (Power over Ethernet) eliminates need for separate power supply and associated wiring; 12 VDC inputs where PoE power is unavailable
- Remote configuration through web client or from the NVR
- Compatible with HQA-BB1 junction box, HQA-PM pole mount, and HB34S2-CM corner mount



### Market Opportunities

These flexible, fully featured cameras are ideal for a wide range of surveillance applications, providing excellent picture quality at minimal bandwidth while offering reliable protection against dust, dirt, and water.

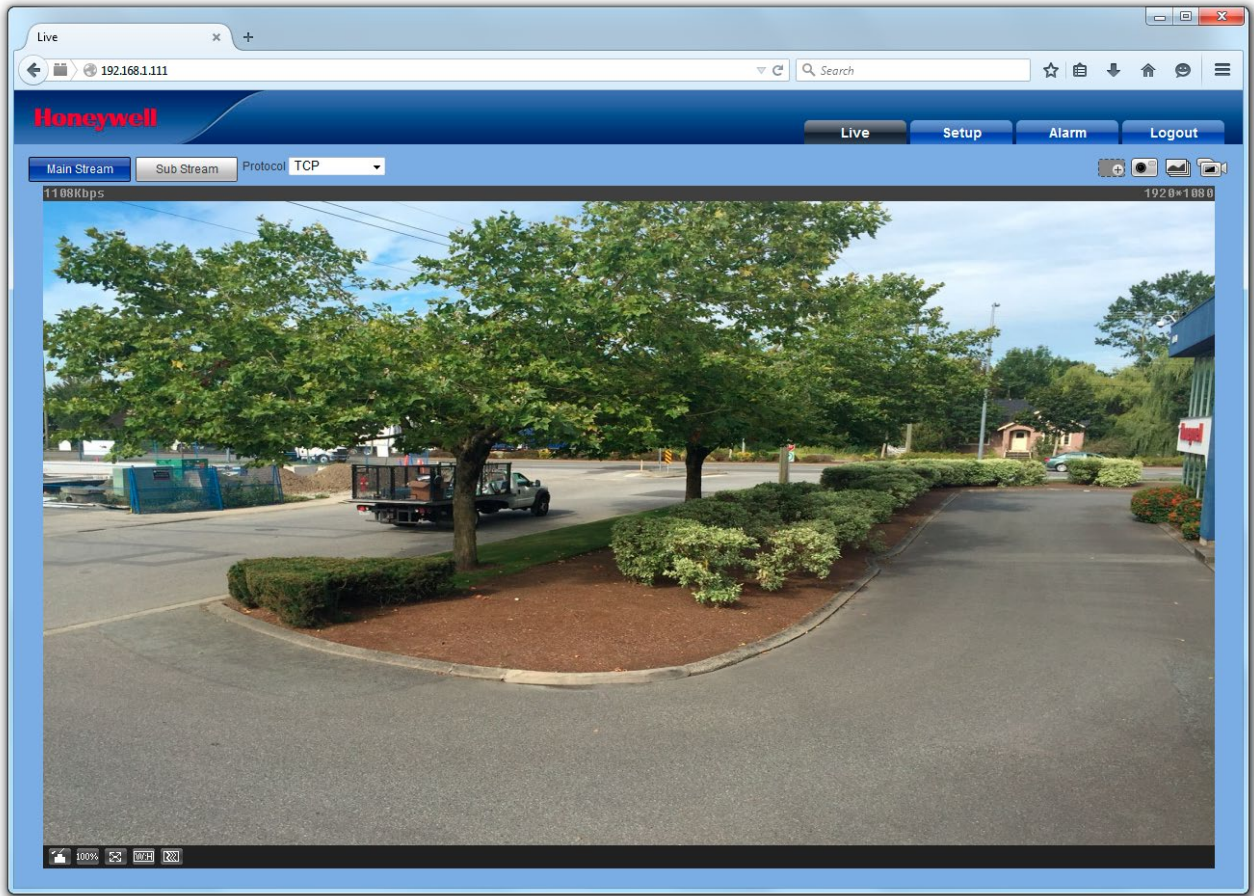
## FEATURES AND BENEFITS

- 1/2.7" 2 MP or 1/3" 4 MP progressive scan imager
- 3.6 mm fixed lens
- True day/night (IR-cut filter)
- Wide dynamic range up to 120 dB
- Low-light performance down to 0.01 lux (color) or 0 lux with IR LEDs on
- Up to 130 ft (40 m) IR illumination, depending on scene reflectance
- H.264 Main Profile compression
- Triple stream support
- Supports up to 20 connections
- Corridor mode
- PoE, 12 VDC support
- Plug-and-play compatible with Honeywell Performance Series Embedded NVRs
- Weatherproof housing with IP66 ingress protection rating

# TDN WDR IR Bullet Camera

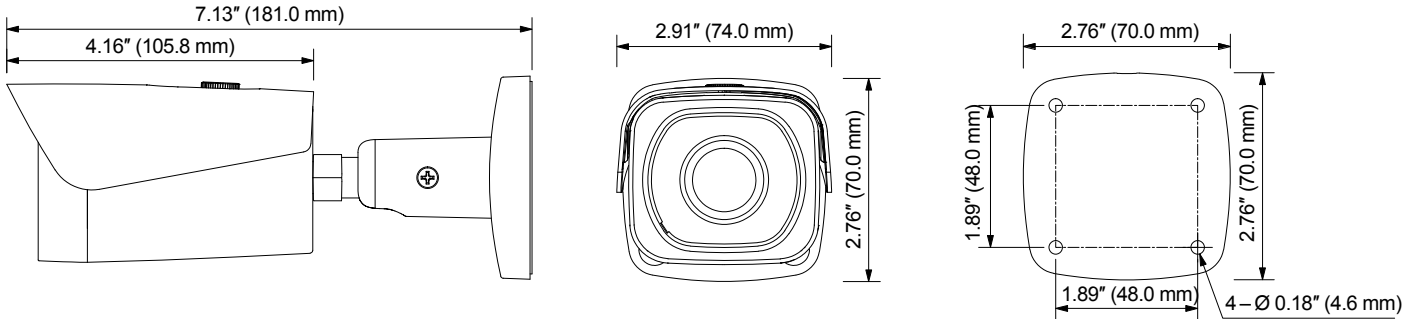
## Security Features

The camera can be configured to automatically detect and respond to events such as motion in the scene and/or camera tampering. Automated responses include sending a notification through email, FTP, and/or HTTP, and sending a still image of the event through email and/or FTP. Setup can be done using the web client or from an NVR.



## DIMENSIONS

### HBW2PR1/HBW4PR1 Dimensions



# TDN WDR IR Bullet Camera

## SPECIFICATIONS

OPERATIONAL		
VIDEO STANDARD	NTSC/PAL	
SCANNING SYSTEM	Progressive scan	
IMAGE SENSOR	HBW2PR1: 1/2.7" 2 MP CMOS HBW4PR1: 1/3" 4 MP CMOS	
NUMBER OF PIXELS (H×V)	HBW2PR1: 1920×1080 HBW4PR1: 2688×1520	
MINIMUM ILLUMINATION	0.01 lux, F2.0 (color) 0 lux (with IR LEDs on)	
S/N RATIO	50 dB or more	
ELECTRONIC SHUTTER SPEED	Auto, Manual, 1/3–1/100 000 s	
IR DISTANCE	Up to 130 ft (40 m), depending on scene reflectance	
DAY/NIGHT	Auto(ICR)/Color/BW	
BACKLIGHT COMPENSATION	BLC/HLC/WDR (120 dB)	
WHITE BALANCE	Auto/Sunny/Night/Outdoor/Customized	
GAIN CONTROL	Auto/Manual	
NOISE REDUCTION	3DNR	
PRIVACY MASKING	Up to 4 areas	
LENS	HBW2PR1: 3.6 mm, F2.2 HBW4PR1: 3.6 mm, F2.1	
HORIZONTAL ANGLE OF VIEW	HBW2PR1: 93° HBW4PR1: 84°	
CORRIDOR MODE	Yes	
VIDEO		
VIDEO COMPRESSION	H.264/H.264H/H.264B/MJPEG	
RESOLUTION	HBW2PR1: 1080p (1920×1080)/720p (1280×720)/D1 (704×576/704×480)/CIF (352×288/352×240) HBW4PR1: 4 MP (2688×1520/2560×1440)/3 MP (2304×1296)/1080p (1920×1080)/720p (1280×720)/D1 (704×576/704×480)/CIF (352×288/352×240)	
FRAME RATE	MAIN STREAM	HBW2PR1: 1080p/720p (1–25/30 fps) HBW4PR1: 4 MP (1–20 fps)/3MP (1–25/30 fps)
	SUB STREAM	D1/CIF (1–25/30 fps)
	TRIPLE STREAM	HBW2PR1: 720p (1–13/4 fps) HBW4PR1: 720p (1–20 fps)
BIT RATE (H.264)	32 Kbps – 10 Mbps	

NETWORK	
ETHERNET	RJ-45 (10/100Base-T)
PROTOCOLS*	IPv4/IPv6, HTTP, HTTPS, SSL, TCP/IP, UDP, UPnP, ICMP, IGMP, SNMP, RTSP, RTP, SMTP, NTP, DHCP, DNS, PPPoE, DDNS, FTP, IP Filter, QoS, Bonjour, 802.1X
COMPATIBILITY	ONVIF Profile S*
MAX. USER ACCESS	20 users
MOBILE DEVICES	iPhone, iPad, Android
ELECTRICAL	
POWER SUPPLY	PoE IEEE 802.3af Class 0, 12 VDC
POWER CONSUMPTION	HBW2PR1: 6.5 W max. HBW4PR1: 6.0 W max.
MECHANICAL	
DIMENSIONS	7.13 × 2.91 × 2.76 in. (181.0 × 74.0 × 70.0 mm)
PRODUCT WEIGHT	0.88 lb (0.4 kg)
PACKAGE WEIGHT	1.17 lb (0.53 kg)
CONSTRUCTION	Die-cast aluminum housing with powder coat
CONSTRUCTION COLOR	RAL 9003 (White)
ENVIRONMENTAL	
TEMPERATURE	–22°F to 140°F (–30°C to 60°C)
RELATIVE HUMIDITY	0–95%, non-condensing
INGRESS PROTECTION	IP66
REGULATORY	
EMISSIONS	FCC Part 15, CE (EN 55032)
IMMUNITY	CE (EN 50130-4)
SAFETY	North America UL Listed to UL/CSA 60950-1, CE (EN 60950-1) North America UL Listed to UL/CSA 60950-22, CE (EN 60950-22)

\* Some development may be required in specific user cases to support some of these protocols in the field as they mature over time.

# TDN WDR IR Bullet Camera

## SPECIFICATIONS

---

### SYSTEM INTEGRATION

#### OPEN IP INTEGRATION

ONVIF support and open API software integration. Refer to [www.onvif.org](http://www.onvif.org) for the ONVIF specification and the Honeywell Open Technology Alliance website (<http://www.security.honeywell.com/hota/>) to learn more about our open and integrated solutions.



## ORDERING

---

### ACCESSORIES

#### MOUNTS

HQA-BB1	Junction box
HQA-PM	Pole mount
HB34S2-CM	Corner mount

### CAMERAS

HBW2PR1	Network TDN WDR IR Bullet Camera, 1/2.7" CMOS, 2 MP, 3.6 mm Fixed, 2 High Power IR LEDs, PoE, H.264
HBW4PR1	Network TDN WDR IR Bullet Camera, 1/3" CMOS, 4 MP, 3.6 mm Fixed, 2 High Power IR LEDs, PoE, H.264

### For more information

[www.honeywell.com/security](http://www.honeywell.com/security)

### Honeywell Security and Fire

2700 Blankenbaker Pkwy, Suite 150  
Louisville, KY 40299  
1.800.323.4576  
[www.honeywell.com](http://www.honeywell.com)

Honeywell reserves the right, without notification, to make changes in product design or specifications.

L/TDNWDRIRBTD/D | 11/16  
© 2016 Honeywell International Inc.

